

4

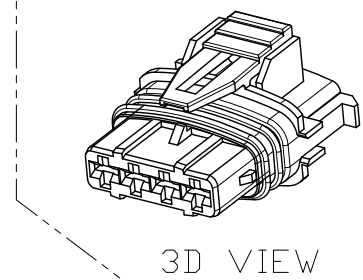
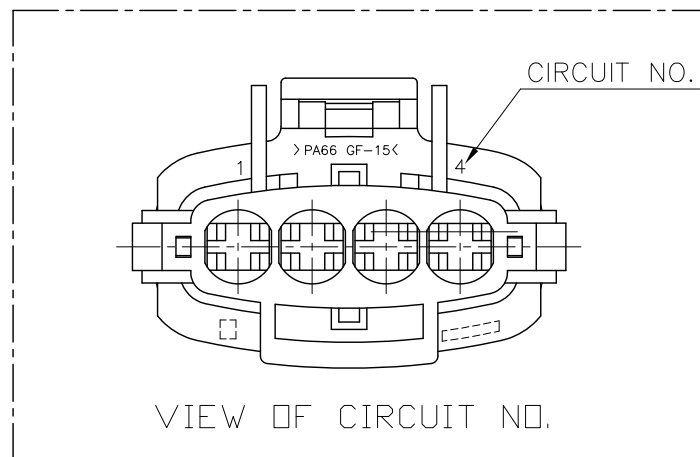
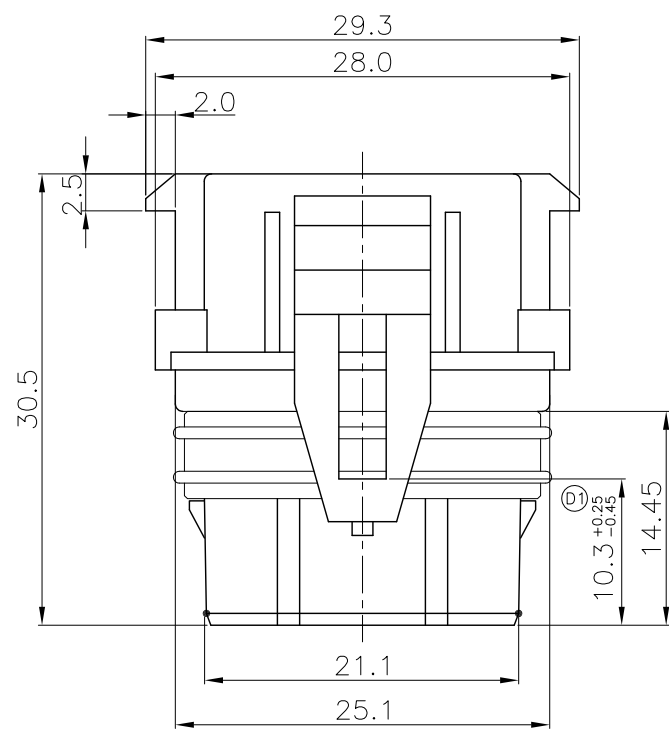
3

2

1

THIS DRAWING IS UNPUBLISHED. RELEASED FOR PUBLICATION
COPYRIGHT BY TYCO ELECTRONICS CORPORATION, ALL RIGHTS RESERVED.

| LOC | DIST | REVISIONS | | | | | |
|-----|------|-----------|-----|-------------------------|------------|-----|------|
| DS | - | P | LTR | DESCRIPTION | DATE | DWN | APVD |
| | | D1 | | REVISED (ECR-10-017976) | 31.AUG.'10 | SJ | HG |
| | | E | | REVISED (ECR-12-008648) | 02.JAN.'13 | JM | HG |



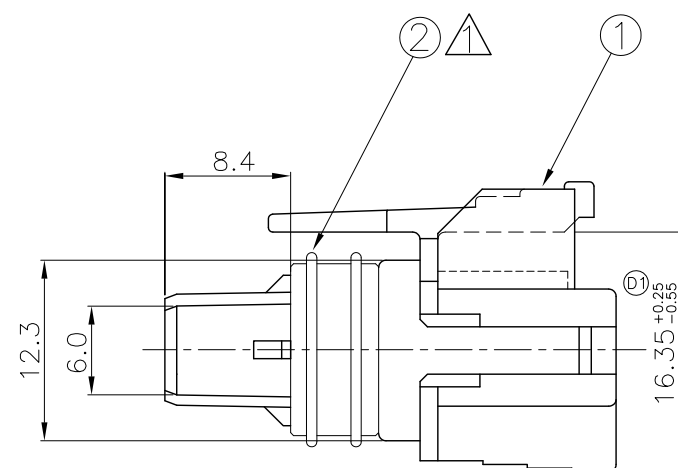
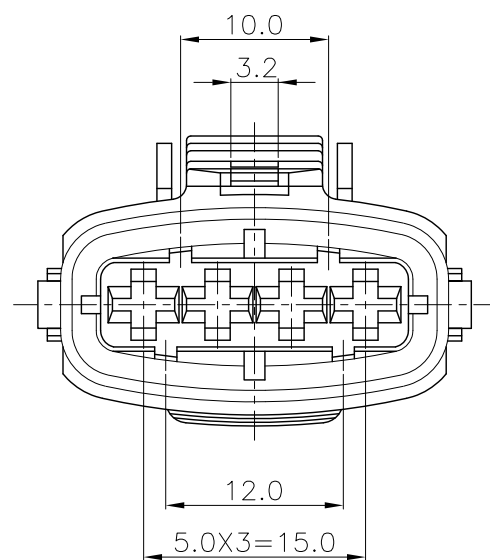
NOTES

1. RUBBER SEAL CONDITION

| COLOR | P/N | HARDNESS | OIL CONTAINS |
|--------|----------|----------|--------------|
| ORANGE | 368840-1 | 40° ± 5° | 3% |
| BLUE | 368840-2 | 40° ± 5° | 3% |

2. APPLICABLE CONTACT P/N

| TML | P/N | DESCRIPTION | WIRE SIZE |
|-----|----------|-------------|------------------------|
| | 929941 | JPT CONTACT | 0.3mm ² |
| | 929939 | JPT CONTACT | 0.5-1.0mm ² |
| | 929937 | JPT CONTACT | 1.0-2.5mm ² |
| | 927772-3 | JPT CONTACT | 0.3mm ² |
| | 927770-3 | JPT CONTACT | 0.5-1.0mm ² |
| | 927766-3 | JPT CONTACT | 1.0-2.5mm ² |



| No. | COLOR | MATERIAL | DESCRIPTION | P/N | QT'Y |
|-----|--------|---------------|-------------|----------|------|
| ② | BLUE | SILICONE(LSR) | RUBBER SEAL | 368840-2 | 1 |
| | ORANGE | SILICONE(LSR) | RUBBER SEAL | 368840-1 | 1 |
| ① | BLACK | PA66 + GF15% | JPT 4P HSG | 368130-1 | 1 1 |

| ASSY P/N | DESCRIPTION |
|----------|-----------------------------------|
| 368162-2 | JPT 4P CONNR ASS'Y FOR MAP SENSOR |
| 368162-1 | JPT 4P CONNR ASS'Y FOR MAP SENSOR |

THIS DRAWING IS A CONTROLLED DOCUMENT FOR TYCO ELECTRONICS CORPORATION. IT IS SUBJECT TO CHANGE AND THE CONTROLLING ENGINEERING ORGANIZATION SHOULD BE CONTACTED FOR THE LATEST REVISION.

| | |
|----------------|---|
| DIMENSIONS: MM | TOLERANCES UNLESS OTHERWISE SPECIFIED: 0 <XX<10 ± 0.2 10<XX<30 ± 0.25 30<XX ± 0.3 ANGLES ± 3° |
| MATERIAL | FINISH |
| SEE TABLE | |

TE TE Connectivity

NAME: JPT 4P CONNECTOR ASS'Y FOR MAP SENSOR

PRODUCT SPEC: 108-61025

APPLICATION SPEC: 114-18018

WEIGHT: 4.95g

SIZE: A3 CAGE CODE: 00779 C= 368162

CUSTOMER DRAWING

SCALE: 2/1 SHEET: 1 OF 1 REV: E